

RPLC

RPLC SERIES SINGLE CELL ROUND PLATFORMS



Small capacity electronic round platforms made in anodized blue aluminium. Precise and sturdy structure, suitable for scales and automatic weight checking systems in all industrial and commercial applications. Standard version is with approved load cell.

Working in cooperation with:

SC DATA SPEED SRL

STR DONATH N. 115/33 - 400331 - JUD. CLUJ
Tel. 0040-264566473 Fax. 0040-364-815440
office@cantare.com.ro

The best solution
for advanced industrial
applications

MAIN FEATURES

- Functions with an approved aluminium “single point” load cell according to OIML R60 standards with protection against dust and water splashes according to IP65 standards (350 Ohm input resistance).
- Anodized blue aluminium structure with adjustable resting feet and level.
- Stainless steel plate.
- 15 Vdc power supply.
- Shielded 1,5 m connection cable with connectors for connection to the indicator.

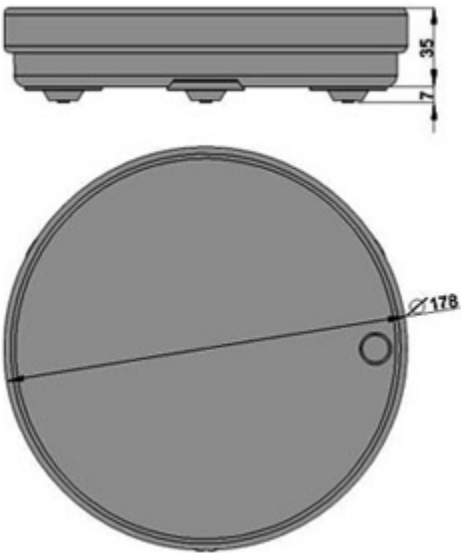
OPTIONS ONLY AVAILABLE AT TIME OF ORDER

- Connection to the indicator and calibration with CE-M 3000e approval.
- High resolution models for internal factory use.

OPTIONS FOR ATEX VERSION

- CCATEX: ATEX certificate for each load cell.
- DCATEXMECH: Declaration of conformity of the whole system composed of PLATFORM + JUNCTION BOX + LOAD CELLS (only if the platform is ordered without the weight indicator; otherwise, refer to the certifications available for the indicator to which it will be connected).

DETAIL 1



VERSIONS

Versioni disponibili

Codice	I x w x h (mm)	Max (kg)	d (g)	M (g)*	M 2R (g)*	d HR (g)*
RPLC1	Ø=178, h=45	1,5	0,2	0,5	0,2 / 0,5	0,05
RPLC3	Ø=178, h=45	3	0,5	1	0,5 / 1	0,1
RPLC6	Ø=178, h=45	6	1	2	1 / 2	0,2
RPLC15	Ø=178, h=45	15	2	5	2 / 5	0,5

(*) Divisioni ottenibili solo con le relative opzioni.



www.diniargeo.com



“YOUR WORLDWIDE PARTNER FOR WEIGHING,”

DINI ARGEO
FRANCE sarl
Nogent-sur-Marne

DINI ARGEO
GMBH
Sinsheim - Germany

DINI ARGEO
UK Ltd
Taunton - United Kingdom

DINI ARGEO WEIGHING
INSTRUMENTS Ltd
Shanghai - China

DINI ARGEO
WEIGHBRIDGES
Calto (RO) – Italy



HEAD OFFICE
Via Della Fisica, 20
41042 Spezzano di Fiorano Modena - Italy



SC DATA SPEED SRL

STR DONATH N. 115/33 - 400331 - JUD. CLUJ

Tel. 0040-264566473 Fax. 0040-364-815440

office@cantare.com.ro

SALES AND TECHNICAL ASSISTANCE SERVICE