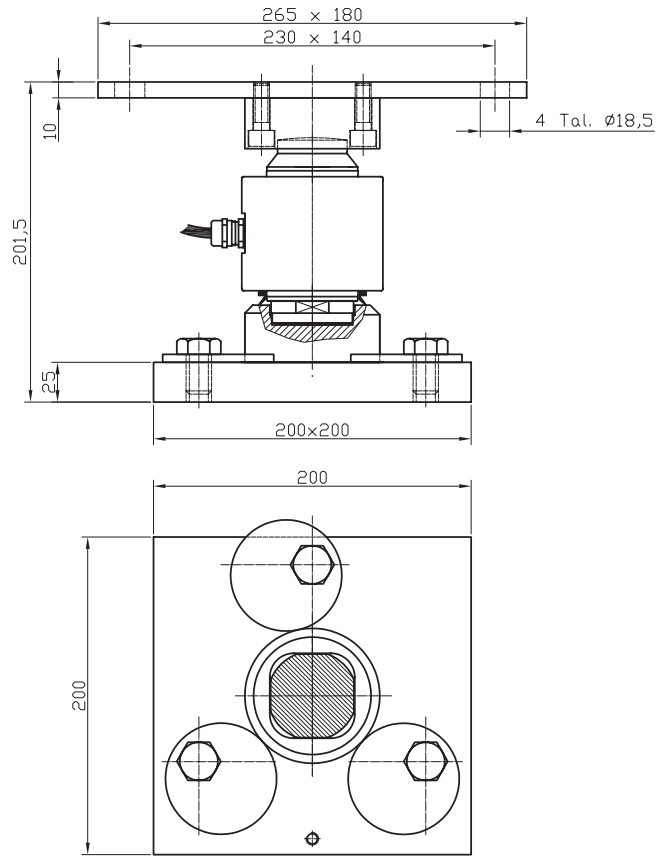


Dimensiones en mm
 Size in mm - Dimensions en mm

Conjunto soporte CS
Support accessory CS
Ensemble support modèle CS



Conjunto Bases CS
Bases Accessory CS
Ensemble bases modèle CS

